

# OLIVER TABLES

---



A minimalist monochrome tray table design. The spun aluminium trays offer a light weight solution and include a hand-painted black edge tying in with the black frames.

The T-shaped frame design offers versatility in use allowing the tables to be layered with other pieces from the Oliver range or furniture items such as a sofa corner.

## MATERIALS / FINISHES

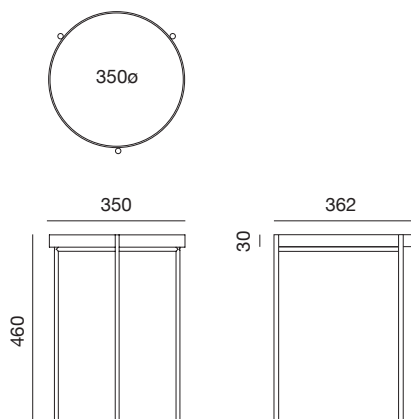
Tray top: 2mm spun aluminium, powdercoat matt white with hand-painted black edge trim

Frame: 12mm steel rod, black powdercoat

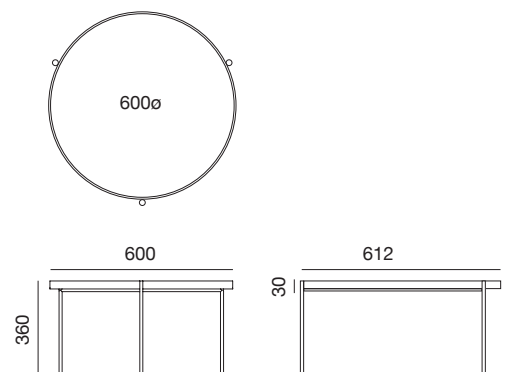
---

## SPECIFICATIONS

All frames are shipped flat packed, minimal assembly required.  
Custom frame finishes & sizes available and quoted on request.  
Lead time 4-6 weeks.



Side Table



Coffee Table